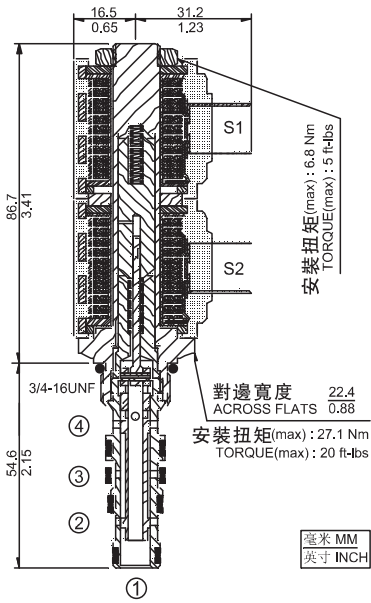




● SV08-47C 三位四通換向閥，中位閉合

SV08-47C 三位四通換向閥，中位閉合 3-position, 4-way, Spool, Closed Center



描述 DESCRIPTION

電磁驅動、三位四通、直動閥芯式、中位閉合、液壓螺紋插裝閥。

A solenoid-operated, 3-position, 4-way, direct-acting, spool-type, closed center, screw-in hydraulic cartridge valve.

工作原理 OPERATION

斷電時,SV08-47C 截止油液流向任何油口。線圈 1 通電時,允許油液從 ③ 流向 ④,以及從 ② 流向 ①。線圈 2 通電時,油液可以從 ③ 流向 ②,以及從 ④ 流向 ①。

在由於油缸面積比而造成工作油口流量不均衡的油路中,較大流量的回油應導入油口②。

雖然可以對油口①完全加壓,但其不作為閥的進油口。

When de-energized, the **SV08-47C** blocks flow to all ports. When coil #1 is energized, flow is allowed from ③ to ④, and from ② to ①. When coil #2 is energized, flow is allowed from ③ to ②, and from ④ to ①.

In circuits where work port flows are unequal due to cylinder ratios, the higher return flow should be directed to port ②.

While ① may be fully pressurized, it is not intended to be used as the inlet.

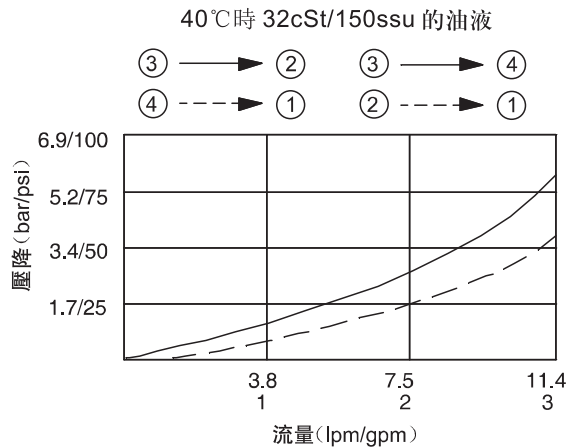
特性

SPECIFICATIONS

性能 (只針對插件)

TYPICAL PERFORMANCE (Cartridge only)

符號 SYMBOL	
工作壓力 PRESSURE	207 bar 3000 psi
流量 FLOW	11 L/min 3 gpm
內漏 LEAKAGE	≤ 164 ml/min at 207 bar (3000 psi)
密封材料/溫度範圍 SEAL MATERIAL/ TEMPERATURE	丁腈橡膠 -30°C ~ +100°C BUNA-N -20°F ~ +210°F 氟橡膠 -20°C ~ +150°C VITON -4°F ~ +330°F
線圈額定負載 COIL DUTY RATING	可在85%至115%的額定電壓範圍內連續工作 CONTINUOUS FROM 85% TO 115% OF NOMINAL VOLTAGE
過濾 FILTRATION	≤ 25 MICRONS
介質 FLUID	礦物油或具有潤滑作用的合成油 MINERAL OIL OR SYNTHETIC FLUID WITH LUBRICANT PROPERTIES
粘度 VISCOSITY	10.8~420 cSt 50~2000 ssu
閥孔 CAVITY	VC08-4



訂貨型號

HOW TO ORDER

SV08-47C

選項 Option	-	線圈終端 Coil Termination
無 None	-	DG: DIN43650
	-	DL: 導線 Leadwires
	-	DR: Deutsch DT04-2P
	-	AG: DIN43650
	-	AP: 1/2 英寸導線管 1/2 in. Conduit
	-	線圈電壓 Coil Voltage
	-	0: 無線圈
	-	12: DC 12V
	-	24: DC 24V
	-	115: AC 115V
	-	230: AC 230V
密封材料 Seal Material		
N: 丁腈橡膠 Buna-N		
V: 氟橡膠 Viton		

A

B

C

D

E

F

G

H

I

J

K

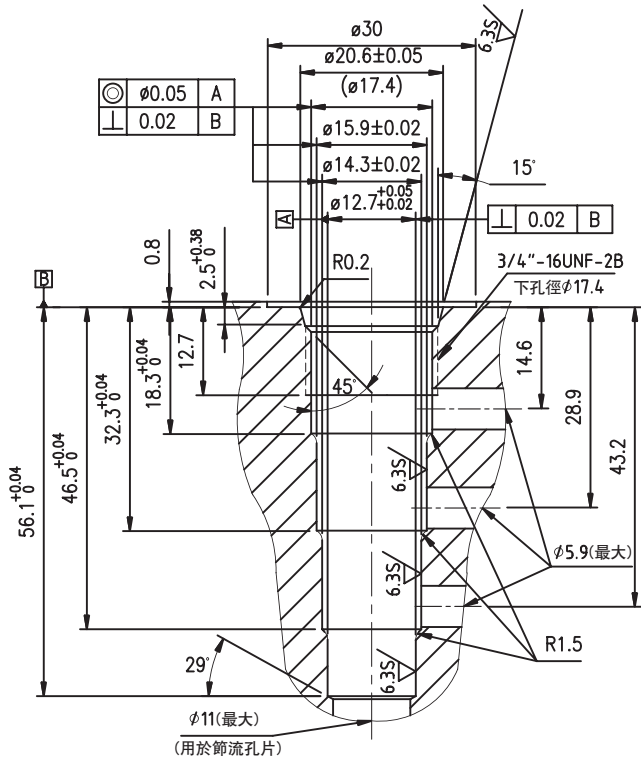
換向閥



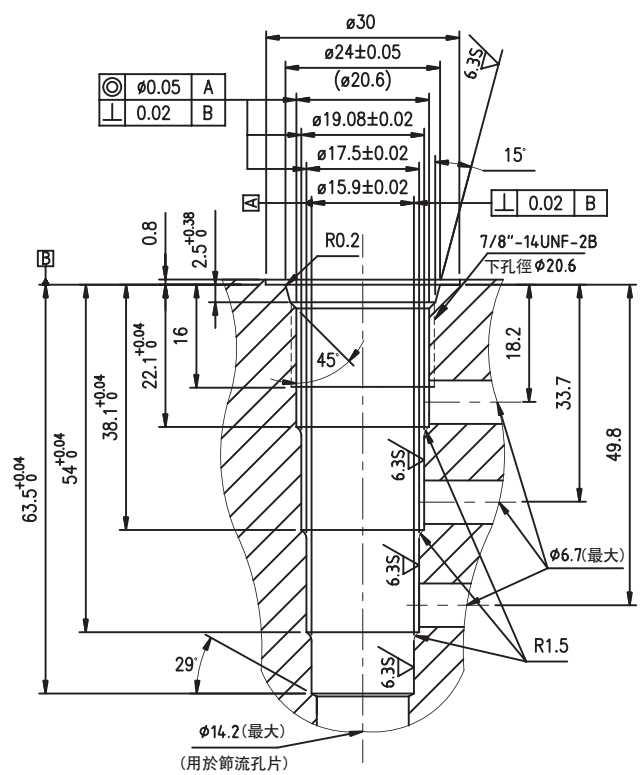
四通插裝閥閥孔 4-Way Cartridge Cavities

單位: mm

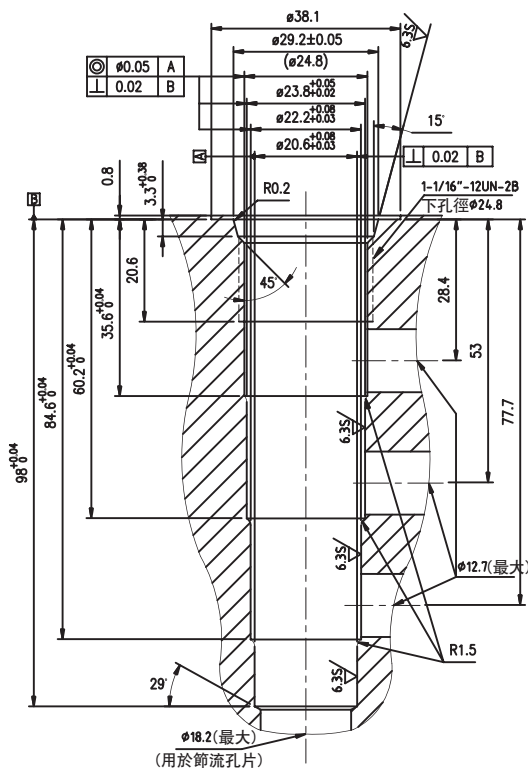
VC08-4



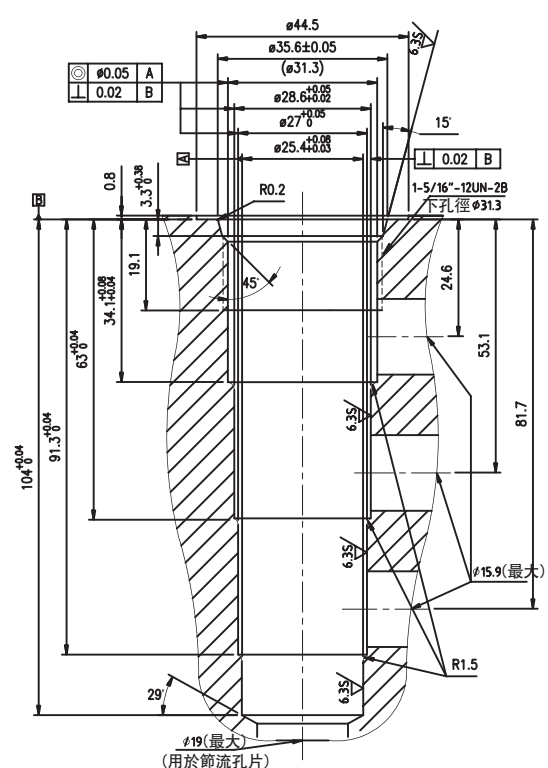
VC10-4



VC12-4



VC16-4



A
B
C
D
E
F
G
H
I
J
K

插裝閥閥孔