

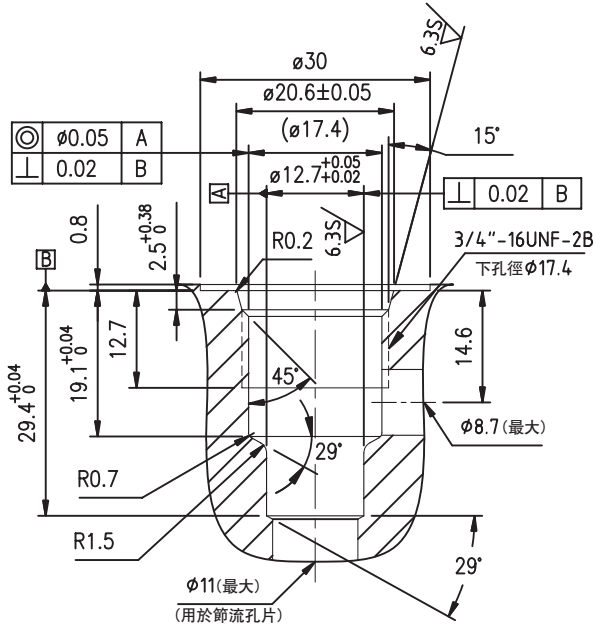




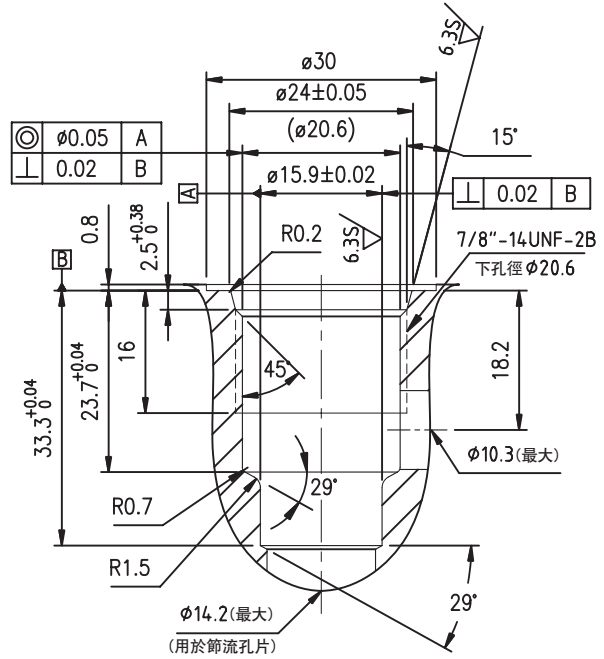
兩通插裝閥閥孔 2-Way Cartridge Cavities

單位: mm

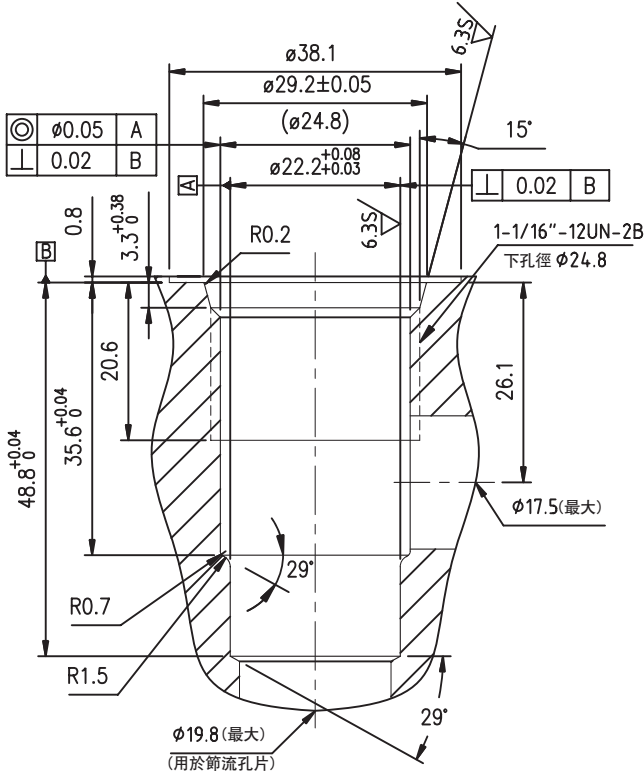
VC08-2



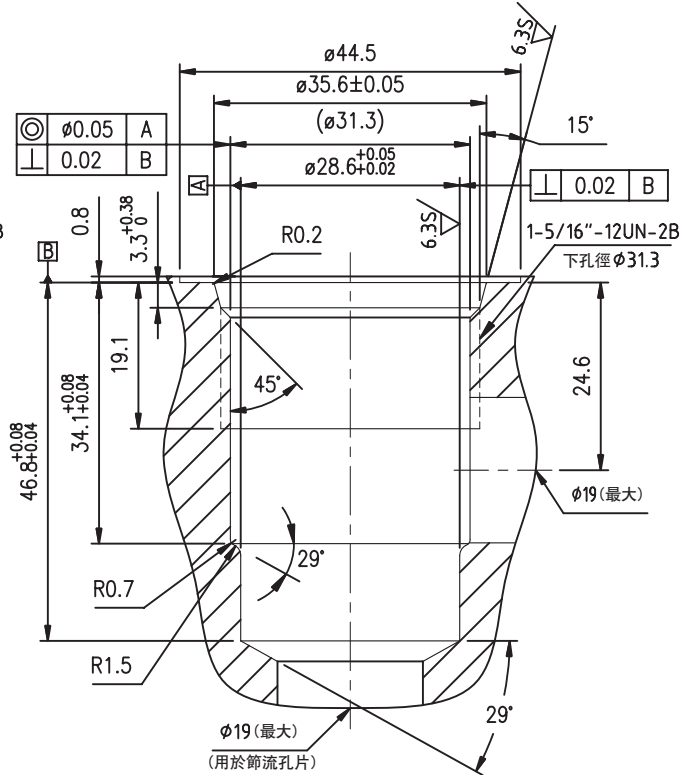
VC10-2



VC12-2



VC16-2



A  
B  
C  
D  
E  
F  
G  
H  
I  
J  
K

插裝閥閥孔