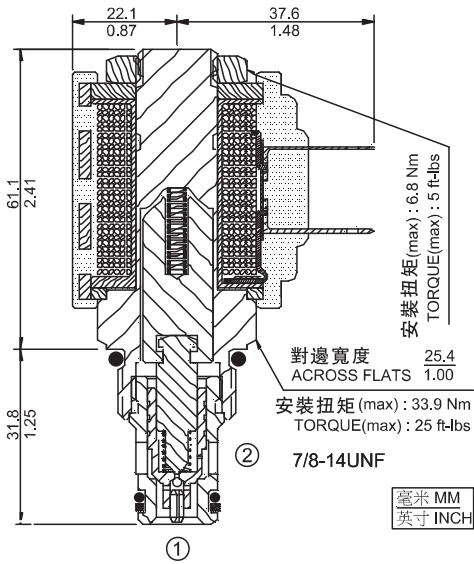




# SV10-22 兩通常閉式錐閥

## SV10-22 兩通常閉式錐閥 2-Way, Normally Closed, Poppet



### 描述 DESCRIPTION

電磁驅動、2 通常閉、導控座閥式、液壓螺紋插裝閥，用作低泄漏截止和負載保持應用。

A solenoid-operated, 2-way, normally closed, poppet-type, screw-in hydraulic cartridge valve, designed for low leakage blocking and load holding applications.

### 工作原理 OPERATION

斷電時，SV10-22 用作單向閥，允許油液從①流向②，同時截止油液從②流向①。通電后，閥芯提升，從而打開從②流向①的油液通道。此模式允許雙向流動。

When de-energized, the SV10-22 acts as a check valve, allowing flow from ① to ②, while blocking flow from ② to ①.

When energized, the poppet lifts to open the ② to ① flow path. In this mode, bidirectional flow is allowed.

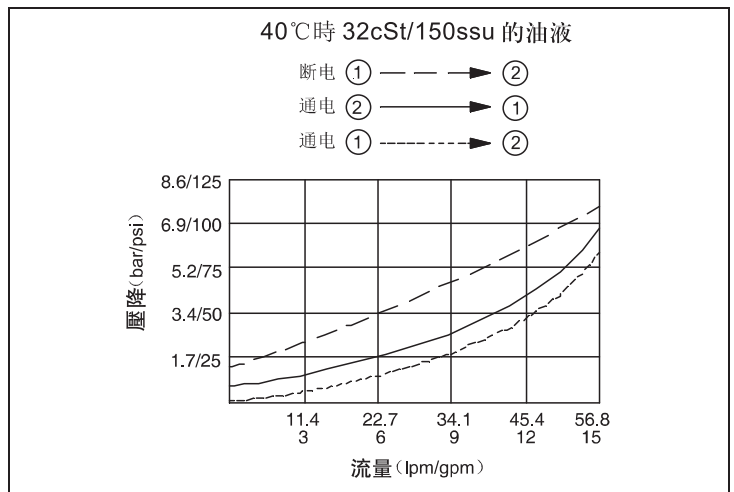
### 特性

#### SPECIFICATIONS

符號 SYMBOL	
工作壓力 PRESSURE	207 bar 3000 psi
流量 FLOW	45 L/min 12 gpm
內漏 LEAKAGE	≤ 0.15 ml/min (3 drops/min) at 207 bar (3000 psi)
密封材料/溫度範圍 SEAL MATERIAL/ TEMPERATURE	丁腈橡膠 -30°C ~ +100°C BUNA-N -20°F ~ +210°F 氟橡膠 -20°C ~ +150°C VITON -4°F ~ +330°F
線圈額定負載 COIL DUTY RATING	可在85%至115%的額定電壓範圍內連續工作 CONTINUOUS FROM 85% TO 115% OF NOMINAL VOLTAGE
過濾 FILTRATION	≤ 25 MICRONS
介質 FLUID	礦物油或具有潤滑作用的合成油 MINERAL OIL OR SYNTHETIC FLUID WITH LUBRICANT PROPERTIES
粘度 VISCOSITY	10.8~420 cSt 50~2000 ssu
閥孔 CAVITY	VC10-2

### 性能 (只針對插件)

#### TYPICAL PERFORMANCE (Cartridge only)



### 訂貨型號

#### HOW TO ORDER

#### SV10 - 22

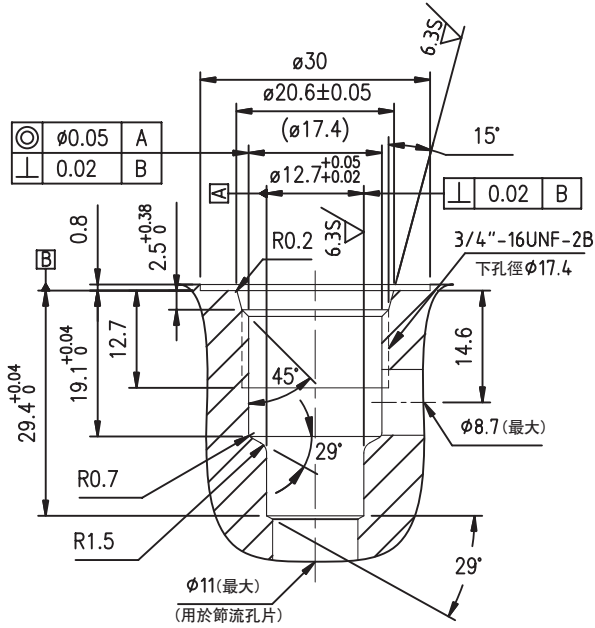
選項 Option	線圈終端 Coil Termination
無 None	<b>DG:</b> DIN43650
<b>S:</b> 150μ 過濾網 150μ Screen	<b>DL:</b> 導線 Leadwires
<b>M:</b> 應急手控 Manual Override	<b>DR:</b> Deutsch DT04-2P
	<b>AG:</b> DIN43650
	<b>AP:</b> 1/2 英寸導線管 1/2 in. Conduit
	線圈電壓 Coil Voltage
	<b>0:</b> 無線圈
密封材料 Seal Material	<b>12:</b> DC 12V
<b>N:</b> 丁腈橡膠 Buna-N	<b>24:</b> DC 24V
<b>V:</b> 氟橡膠 Viton	<b>115:</b> AC 115V
	<b>230:</b> AC 230V



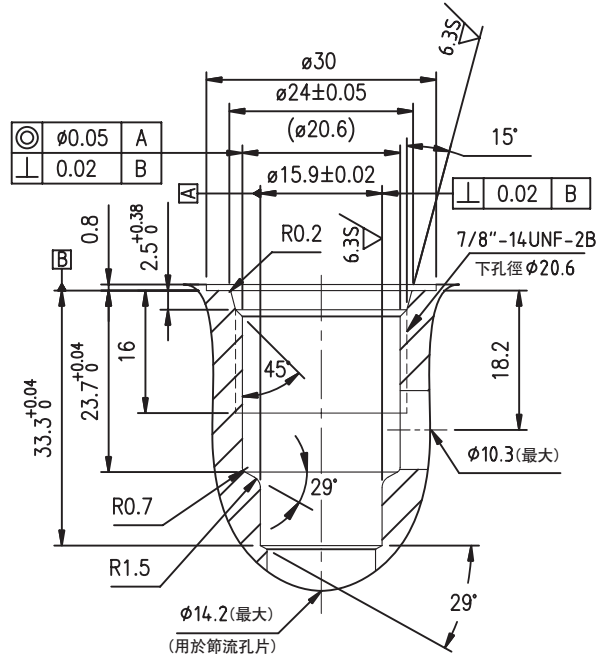
兩通插裝閥閥孔 2-Way Cartridge Cavities

單位: mm

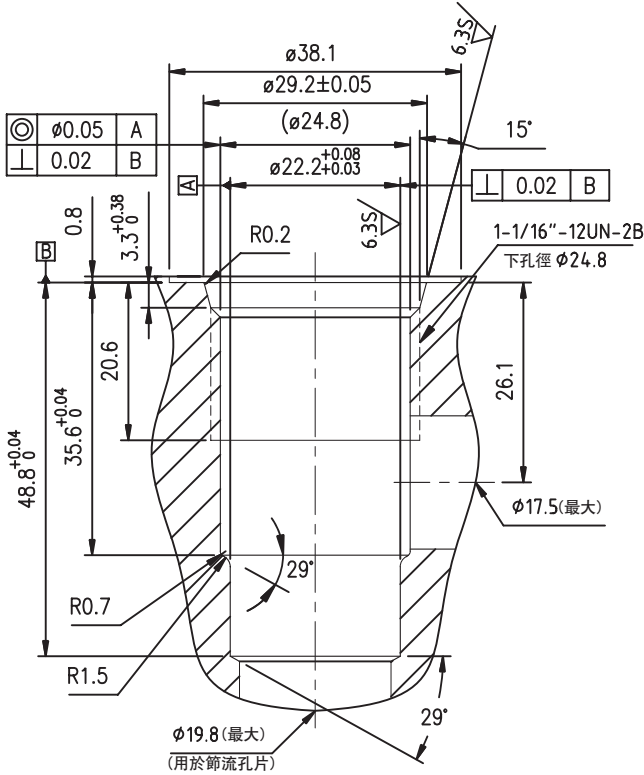
VC08-2



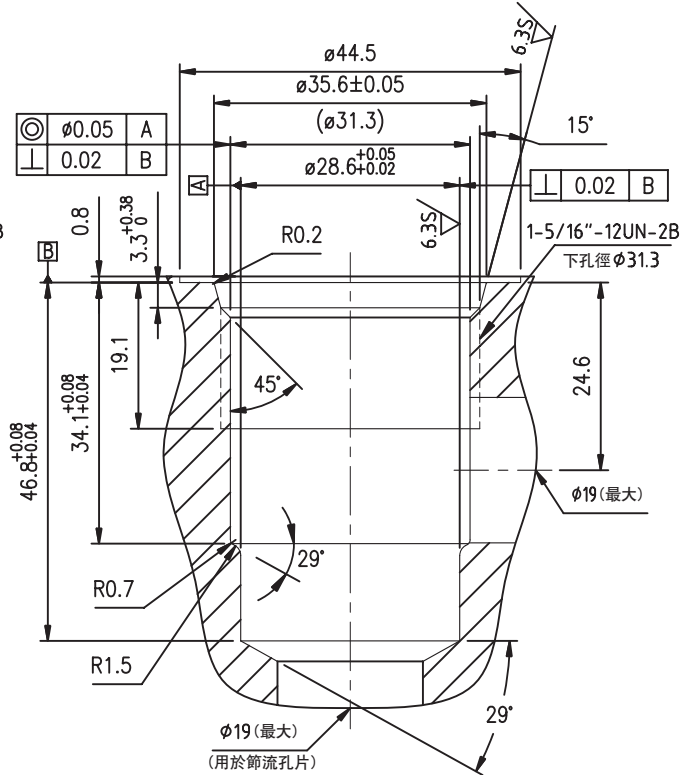
VC10-2



VC12-2



VC16-2



A  
B  
C  
D  
E  
F  
G  
H  
I  
J  
K

插裝閥閥孔