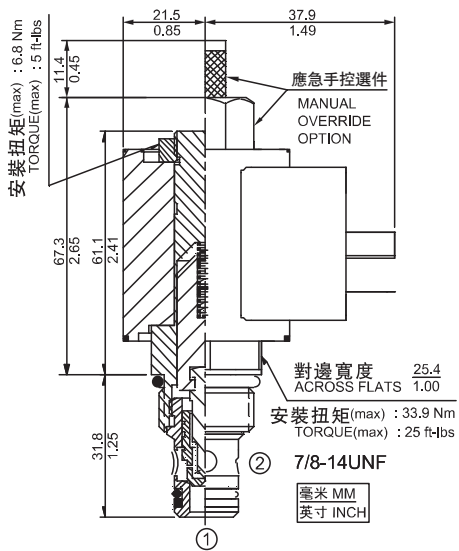




● SV10-20 兩通常閉式錐閥

SV10-20 兩通常閉式錐閥 2-Way, Normally Closed, Poppet



描述 DESCRIPTION

電磁驅動、2 通常閉、導控座閥式、液壓螺紋插裝閥，在要求低內部泄漏的應用中用作負載保持閥或截止閥。

A solenoid-operated, 2-way, normally closed, piloted poppet-type, screw-in hydraulic cartridge valve, designed to function as a load holding or blocking valve in applications requiring low internal leakage.

工作原理 OPERATION

斷電時，SV10-20 用作單向閥，允許油液從①流向②，同時截止油液從②流向①。通電后，插裝閥的閥芯提升，從而打開從②流向①的油液通道。在此工況下，油液從①流向②的流動將受到巨大限制。

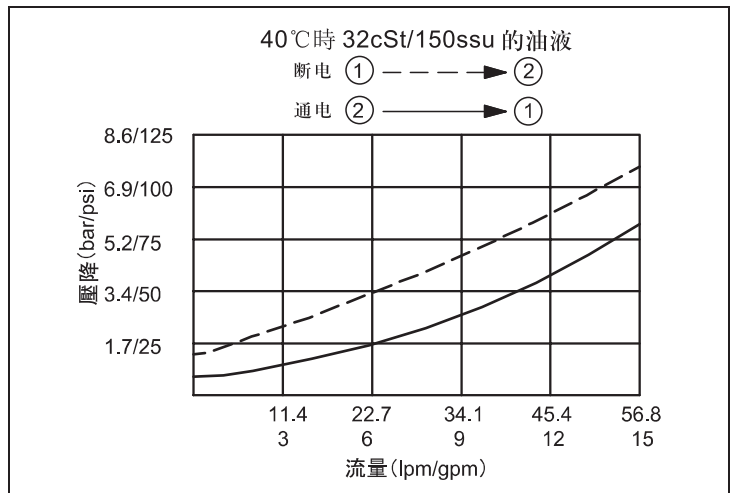
When de-energized, the SV10-20 acts as a check valve, allowing flow from ① to ②, while blocking flow from ② to ①.

When energized, the cartridge's poppet lifts to open the ② to ① flow path. In this mode, flow from ① to ② is severely restricted.

特性 SPECIFICATIONS

| | |
|--|---|
| 符號 SYMBOL | |
| 工作壓力 PRESSURE | 207 bar 3000 psi |
| 流量 FLOW | 45 L/min 12 gpm |
| 內漏 LEAKAGE | ≤ 0.15 ml/min (3 drops/min) at 207 bar (3000 psi) |
| 密封材料/溫度範圍 SEAL MATERIAL/ TEMPERATURE | 丁腈橡膠 -30°C ~ +100°C BUNA-N -20°F ~ +210°F 氟橡膠 -20°C ~ +150°C VITON -4°F ~ +330°F |
| 線圈額定負載 COIL DUTY RATING | 可在85%至115%的額定電壓範圍內連續工作 CONTINUOUS FROM 85% TO 115% OF NOMINAL VOLTAGE |
| 過濾 FILTRATION | ≤ 25 MICRONS |
| 介質 FLUID | 礦物油或具有潤滑作用的合成油 MINERAL OIL OR SYNTHETIC FLUID WITH LUBRICANT PROPERTIES |
| 粘度 VISCOSITY | 10.8~420 cSt 50~2000 ssu |
| 閥孔 CAVITY | VC10-2 |

性能 (只針對插件) TYPICAL PERFORMANCE (Cartridge only)



訂貨型號 HOW TO ORDER

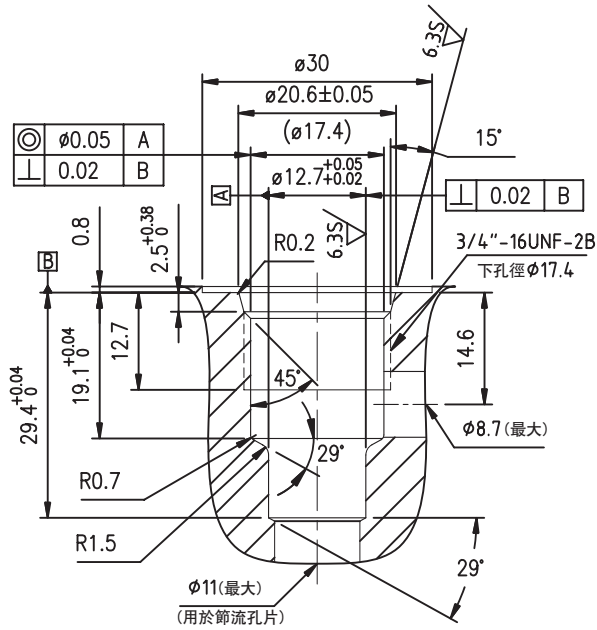
| | | | | | | | | | |
|--------------------|----------------|-------------------------|-------------------------|-------------------|------------------|---------------------|--------------|-------------------------------|--------------|
| SV10 - 20 | - | - | - | - | - | - | - | - | - |
| 選項 Option | 無 None | S: 150μ 過濾網 150μ Screen | M: 應急手控 Manual Override | 線圈電壓 Coil Voltage | 0: 無線圈 | 12: DC 12V | 24: DC 24V | 115: AC 115V | 230: AC 230V |
| 密封材料 Seal Material | N: 丁腈橡膠 Buna-N | V: 氟橡膠 Viton | 線圈終端 Coil Termination | DG: DIN43650 | DL: 導線 Leadwires | DR: Deutsch DT04-2P | AG: DIN43650 | AP: 1/2 英寸導線管 1/2 in. Conduit | |



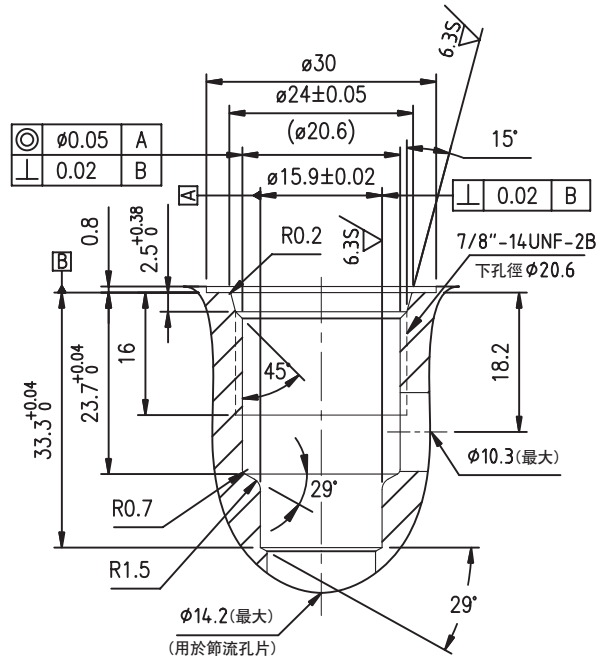
兩通插裝閥閥孔 2-Way Cartridge Cavities

單位: mm

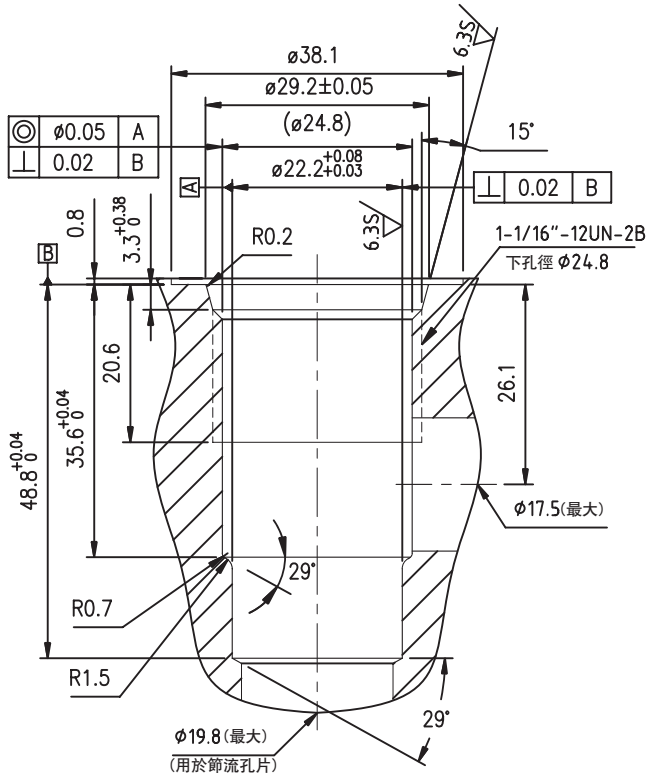
VC08-2



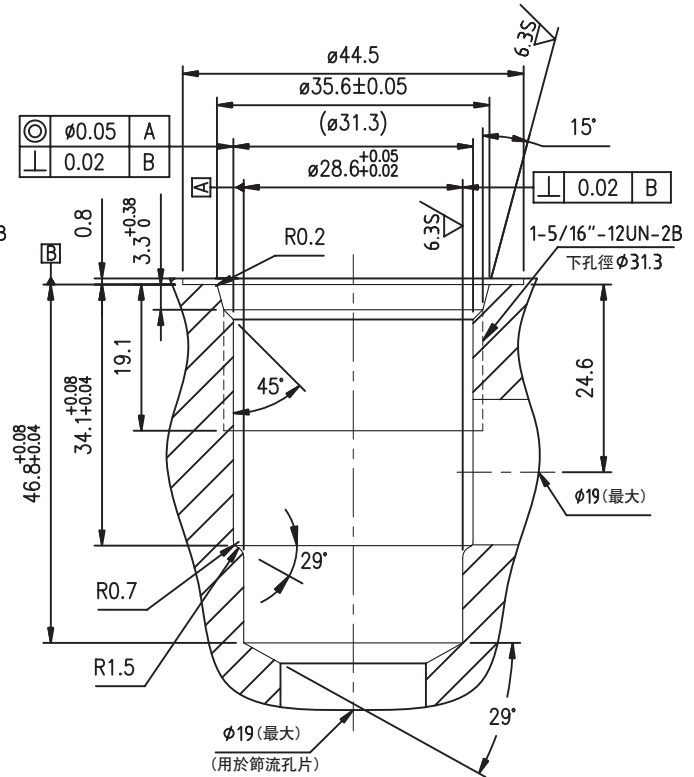
VC10-2



VC12-2



VC16-2



A
B
C
D
E
F
G
H
I
J
K

插裝閥閥孔