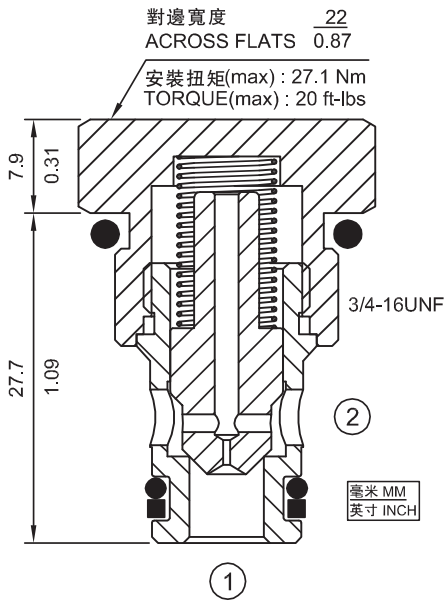




FC08-20F 單向節流閥 Flow Control, Orifice Check



描述 DESCRIPTION

螺紋插裝式單向節流閥。

A screw-in, cartridge-style, restrictor check valve.

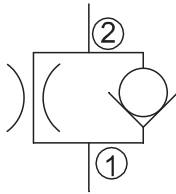
工作原理 OPERATION

FC08-20F型，油液從②流向①方向有截流限制；作為單向閥，可讓油液從①自由流向②。

The FC08-20F acts as a restrictor in the ② to ① direction. As a check valve, it provides free flow from ① to ②.

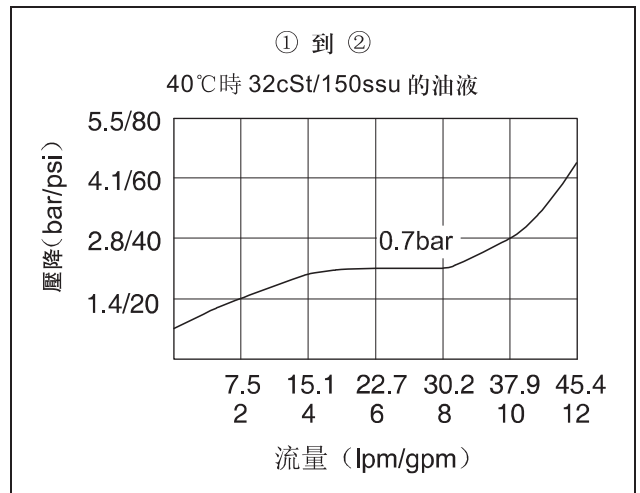
特性

SPECIFICATIONS

符號 SYMBOL	
工作壓力 PRESSURE	240 bar 3500 psi
流量 FLOW	45 L/min 12 gpm
內漏 LEAKAGE	無此項指標 Not applicable
密封材料/溫度範圍 SEAL MATERIAL/ TEMPERATURE	丁腈橡膠 -30°C ~ +100°C BUNA-N -20°F ~ +210°F 氟橡膠 -20°C ~ +150°C VITON -4°F ~ +330°F
過濾 FILTRATION	≤ 25 MICRONS
介質 FLUID	礦物油或具有潤滑作用的合成油 MINERAL OIL OR SYNTHETIC FLUID WITH LUBRICANT PROPERTIES
粘度 VISCOSITY	10.8~420 cSt 50~2000 ssu
閥孔 CAVITY	VC08-2

性能（只針對插件）

TYPICAL PERFORMANCE (Cartridge only)



訂貨型號

HOW TO ORDER

FC08 - 20F - - -

復位彈簧力
Bias Spring
10: 0.7bar(10psi)

節流孔大小
Orifice Size
06: Ø 0.6mm 11: Ø 0.6mm
07: Ø 0.6mm 12: Ø 0.6mm
08: Ø 0.6mm 13: Ø 0.6mm
09: Ø 0.6mm 14: Ø 0.6mm

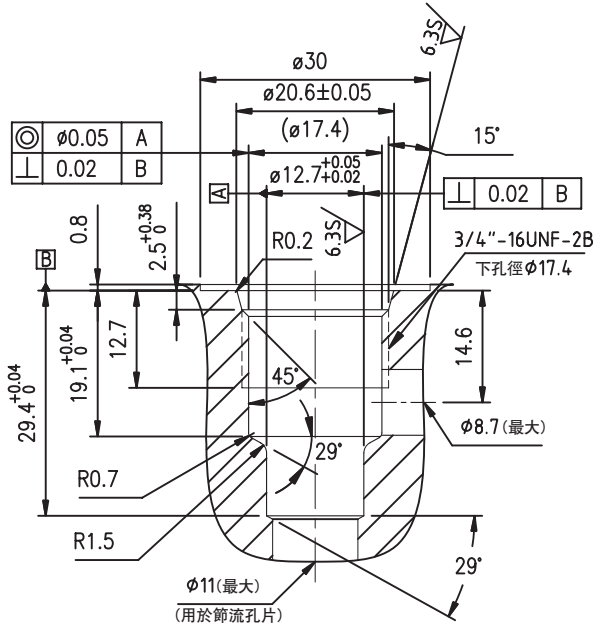
密封材料
Seal Material
N: 丁腈橡膠 Buna-N 09: Ø 0.6mm 14: Ø 0.6mm
V: 氟橡膠 Viton 10: Ø 0.6mm



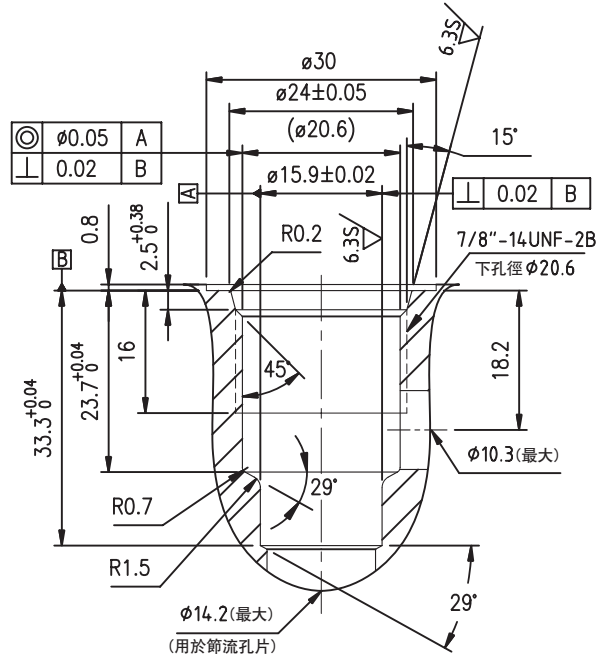
兩通插裝閥閥孔 2-Way Cartridge Cavities

單位: mm

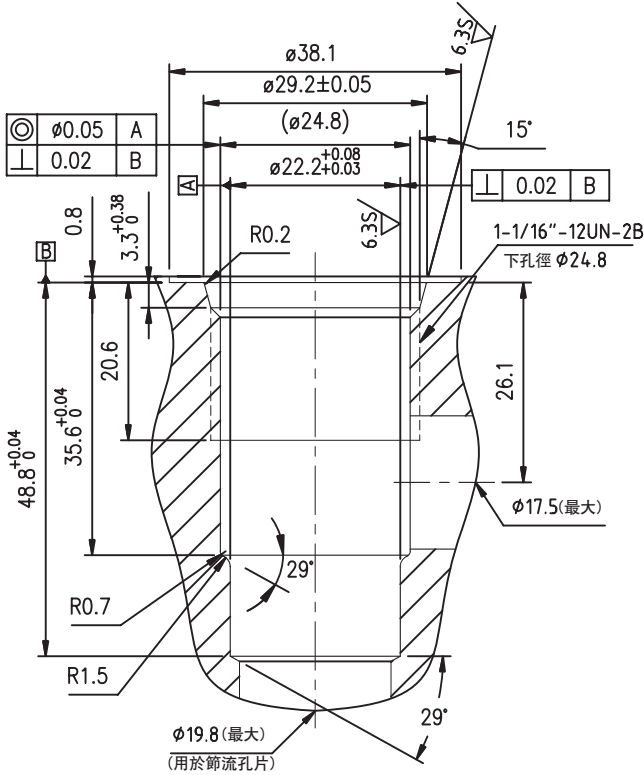
VC08-2



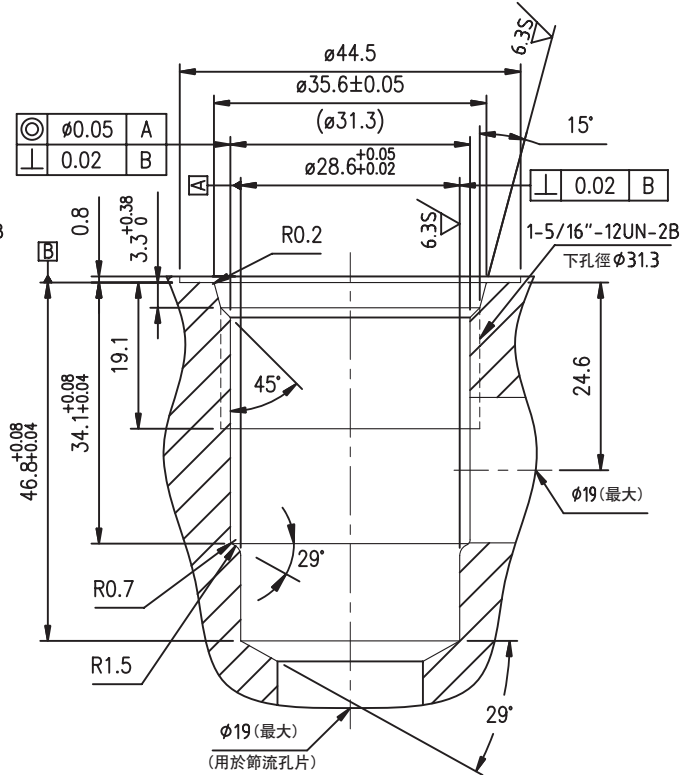
VC10-2



VC12-2



VC16-2



A
B
C
D
E
F
G
H
I
J
K

插裝閥閥孔