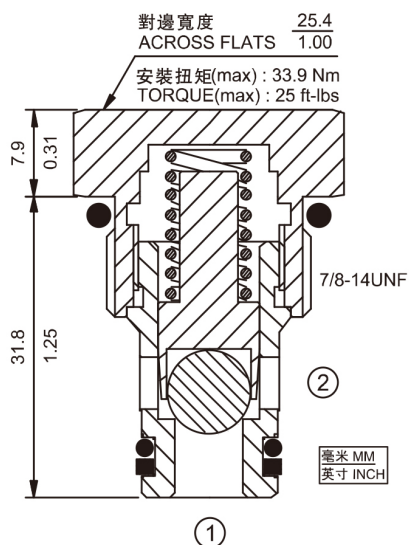




## CV10-20 單向閥

### CV10-20 單向閥 Check Valve



#### 描述 DESCRIPTION

螺紋插裝式液壓單向閥，用作單向截止或負載保持設備。

A screw-in, cartridge-style, hydraulic check valve for use as a blocking or load-holding device.

#### 工作原理 OPERATION

CV10-20 允許油液從 ① 流向 ②，同時截止油液反向流動。全導向閥芯在復位彈簧壓力的作用下關閉閥口直到 ① 處壓力足夠大時打開 ②

The CV10-20 allows flow passage from ① to ②, while normally blocking oil flow in the opposite direction.

The cartridge has a fully guided check which is spring-biased closed until sufficient pressure is applied at ① to open to ②.

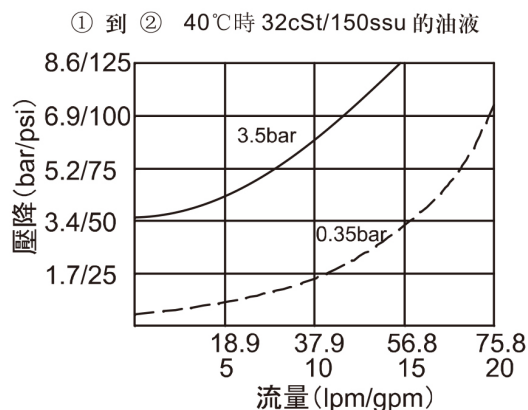
#### 特性

#### SPECIFICATIONS

符號 SYMBOL	
工作壓力 PRESSURE	240 bar 3500 psi
流量 FLOW	57 L/min 15 gpm
內漏 LEAKAGE	≤ 0.1 ml/min (2 drops/min) at 240 bar (3500 psi)
密封材料/溫度範圍 SEAL MATERIAL/ TEMPERATURE	丁腈橡膠 -30°C ~ +100°C BUNA-N -20°F ~ +210°F 氟橡膠 -20°C ~ +150°C VITON -4°F ~ +330°F
過濾 FILTRATION	≤ 25 MICRONS
介質 FLUID	礦物油或具有潤滑作用的合成油 MINERAL OIL OR SYNTHETIC FLUID WITH LUBRICANT PROPERTIES
粘度 VISCOSITY	10.8~420 cSt 50~2000 ssu
閥孔 CAVITY	VC10-2

#### 性能 (只針對插件)

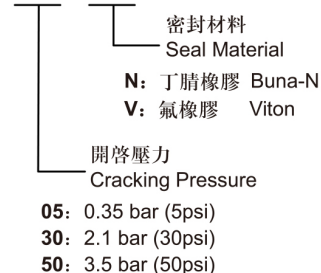
#### TYPICAL PERFORMANCE (Cartridge only)



#### 訂貨型號

#### HOW TO ORDER

CV10 - 20 - -

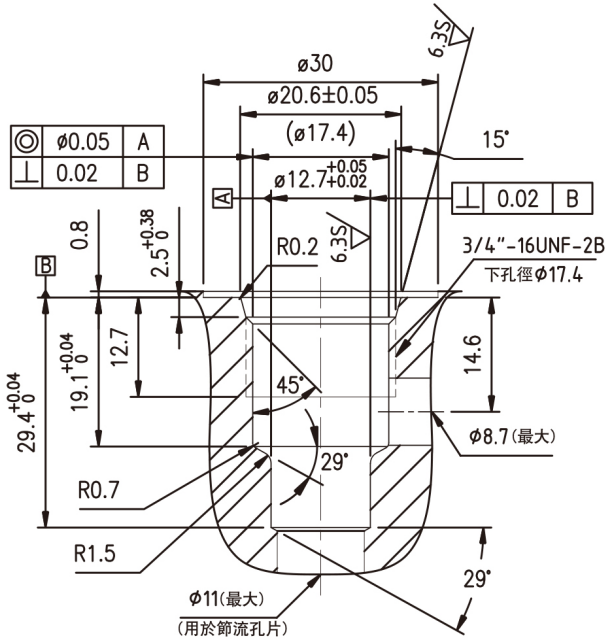




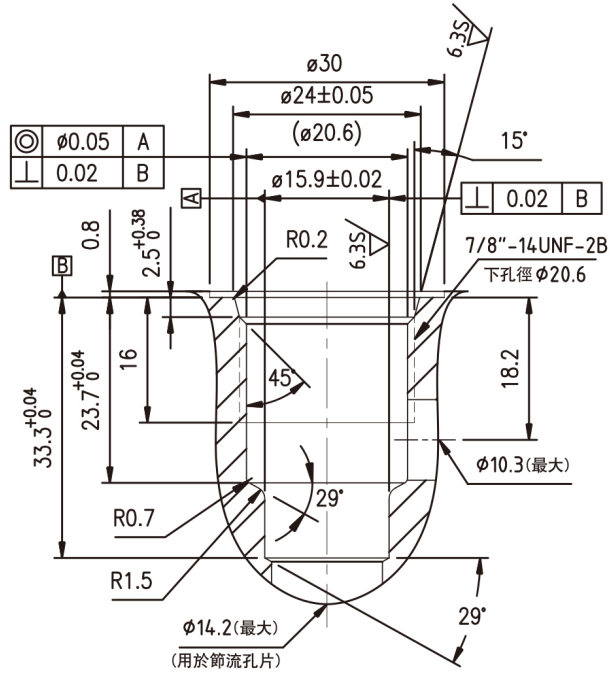
兩通插裝閥閥孔 2-Way Cartridge Cavities

單位: mm

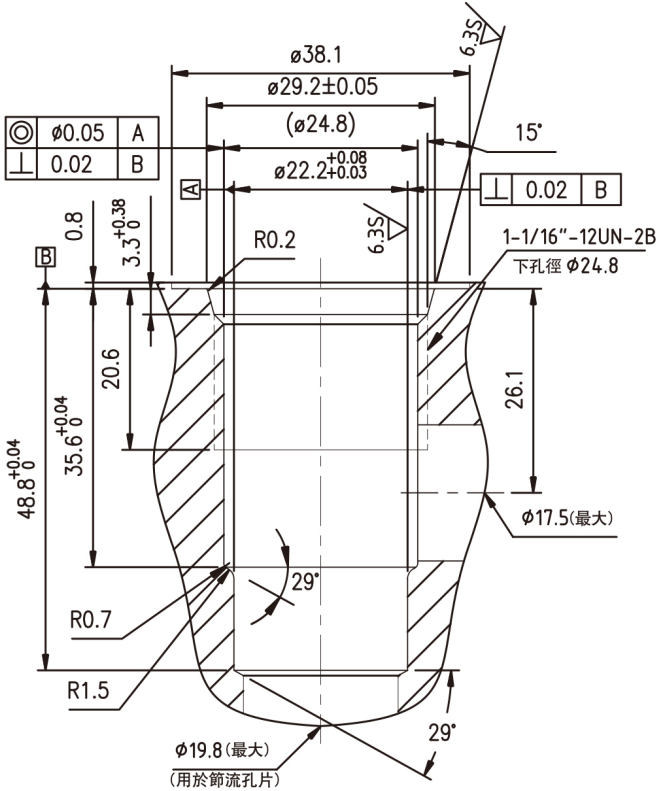
VC08-2



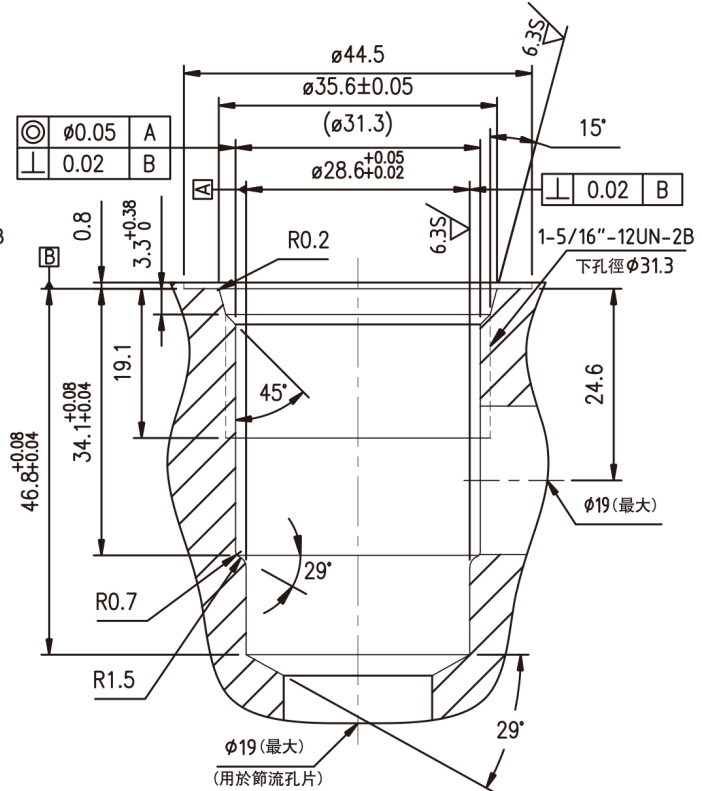
VC10-2



VC12-2



VC16-2



A  
B  
C  
D  
E  
F  
G  
H  
I  
J  
K

插裝閥閥孔