



FR10-39 壓力補償節流閥 Flow Regulator, Pressure Compensated Valve

描述 DESCRIPTION

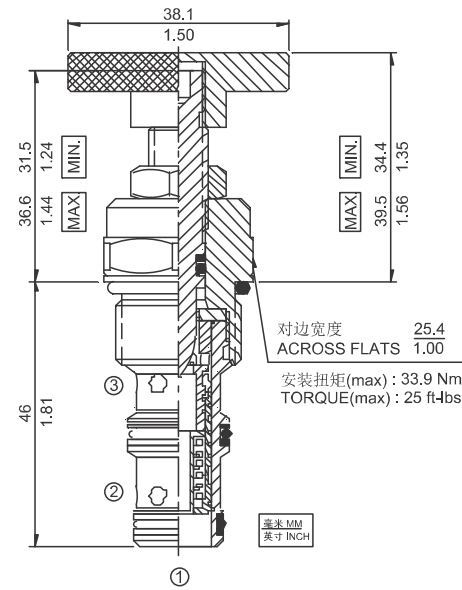
螺紋插裝式，節流孔可調，壓力補償，手動操作旁通型流量調節閥。可以用作優先型流量調節閥或當封閉旁路油口②時可以用作二通節流型流量調節閥。

A screw-in, cartridge-style, adjustable orifice, pressure-compensated, manually-operated, bypass-type hydraulic flow regulating valve. It can be used as a priority-type flow regulator or a restrictive-type 2-way flow regulator when the bypass port (port ②) is blocked.

工作原理 OPERATION

FR10-39型，從③流出的流量保持不變，不受③的下游回路或旁路②的負載壓力變化影響。反向液流（③流向①）不經過控制節流孔。逆時針轉動手柄，調節流量從閉合到完全打開時逐漸增加。

The FR10-39 maintains a constant flow rate from ③ regardless of load pressure changes in the system downstream of ③, or in the bypass leg at ②. Reverse flow (③ to ①) bypasses the control orifice. The regulated flow increases from closed to fully open, with counter-clockwise rotation of the knob.



注：常用作旁路流量控制而且優先油口由其他的鎖封閉時，除非優先油口有小量泄漏，否則旁路壓降將增加。請聯系工廠。

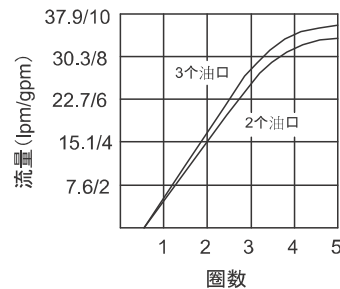
**Note:** When used as a bypass flow control in applications where the priority flow port will be blocked by external valving, bypass pressure drop will increase unless a small amount of leakage is provided for the priority port. Consult factory.

特性 SPECIFICATIONS

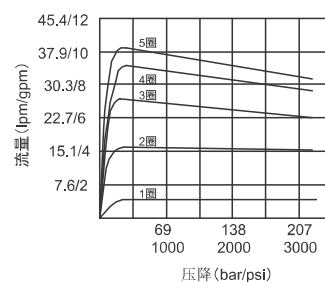
性能（只針對插件） TYPICAL PERFORMANCE (Cartridge only)

符號 SYMBOL	
工作壓力 PRESSURE	240 bar 3500 psi
流量 FLOW	三油口 (3-ported): 38 L/min (10 gpm) 兩油口 (2-ported): 34 L/min (9 gpm)
內漏 LEAKAGE	≤ 33 ml/min at 207 bar (3000 psi)
密封材料/溫度範圍 SEAL MATERIAL/ TEMPERATURE	丁腈橡膠 -30°C ~ +100°C BUNA-N -20°F ~ +210°F 氟橡膠 -20°C ~ +150°C VITON -4°F ~ +330°F
過濾 FILTRATION	≤ 25 MICRONS
介質 FLUID	礦物油或具有潤滑作用的合成油 MINERAL OIL OR SYNTHETIC FLUID WITH LUBRICANT PROPERTIES
粘度 VISCOSITY	10.8~420 cSt 50~2000 ssu
閥孔 CAVITY	VC10-3

調節流量與圈數  
油口③ 103 bar / 1500 psi 輸入壓力  
兩個油口: 123 bar / 1800 psi 進油壓力  
三個油口: 進油流量 38 lpm / 10 gpm  
40°C時 32cSt / 150ssu 的油液



兩個油口  
進油 240 bar / 3500 psi 時的調節流量與壓力  
40°C時 32cSt / 150ssu 的油液



A  
B  
C  
D  
E  
F  
G  
H  
I  
J  
K

節流閥



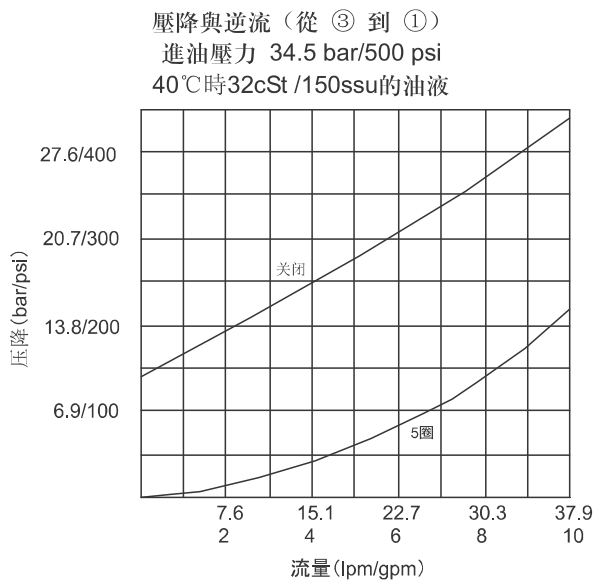
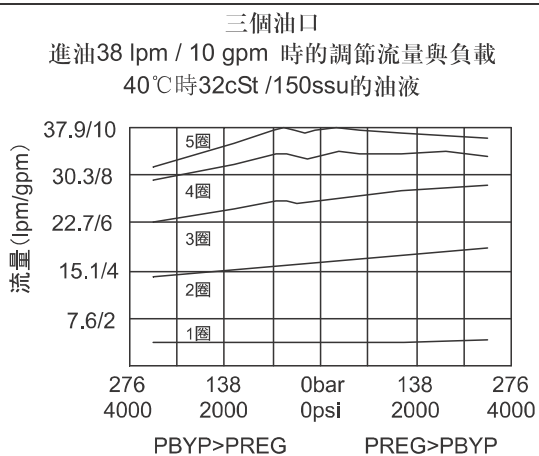
FR10-39 壓力補償節流閥 Flow Regulator, Pressure Compensated Valve

性能 (只針對插件)

TYPICAL PERFORMANCE (Cartridge only)

訂貨型號

HOW TO ORDER



FR10 - 39

