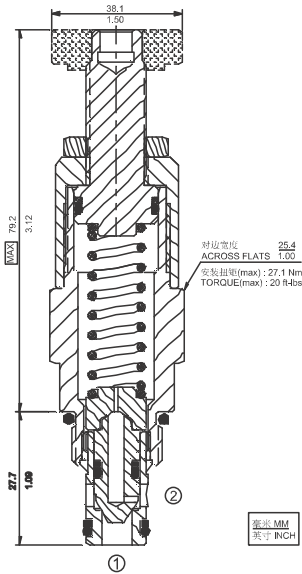




# RV58-20 直動式高壓溢流閥

## RV58-20 直動式高壓溢流閥 Direct-Acting Poppet, High Pressure Relief Valve



### 描述 DESCRIPTION

螺紋插裝、直動型、座閥式溢流閥，適用於較高壓力下要求極小內泄漏的低流量液壓回路。

A screw-in, cartridge-style, direct-acting, poppet-type, hydraulic relief valve intended for lower flow circuits requiring low internal leakage at higher pressures..

### 工作原理 OPERATION

RV58-20 型，常態下 ① 流向 ② 封閉，直到 ① 處受到足夠的液壓力克服彈簧力使閥芯離開閥座。

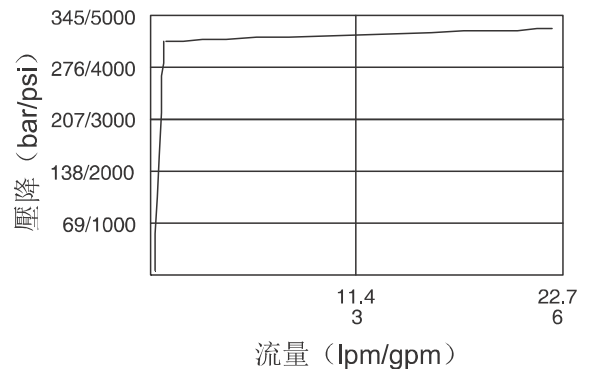
The RV58-20 blocks flow from ① to ② until sufficient pressure is present at ① to force the spring-opposed poppet from its seat.

### 特性 SPECIFICATIONS

### 性能 (只針對插件) TYPICAL PERFORMANCE (Cartridge only)

符號 SYMBOL	
工作壓力 PRESSURE	345 bar 5000 psi
流量 FLOW	22 L/min 6 gpm
內漏 LEAKAGE	≤ 0.25 ml/min (5 drops/min) 在75%的開啓壓力下， at 75% of nominal setting
密封材料/溫度範圍 SEAL MATERIAL/ TEMPERATURE	丁腈橡膠 -30°C ~ +100°C BUNA-N -20°F ~ +210°F 氟橡膠 -20°C ~ +150°C VITON -4°F ~ +330°F
過濾 FILTRATION	≤ 25 MICRONS
介質 FLUID	礦物油或具有潤滑作用的合成油 MINERAL OIL OR SYNTHETIC FLUID WITH LUBRICANT PROPERTIES
粘度 VISCOSITY	10.8~420 cSt 50~2000 ssu
閥孔 CAVITY	VC08-2

### 流量特性 Flow Characteristic 40°C時 32cSt/150ssu 的油液



### 訂貨型號 HOW TO ORDER

RV58 - 20	-	-	調壓範圍 Spring Range 46: 28~317bar (400~4600psi)
調節機構 Adjusting Mechanism	A: 1/4 寸內六角頭 1/4 in. Hex Allen Head	B: 直徑1-1/2 寸, 鋁合金手柄 1-1/2 in. Dia. Alum. Knob	密封材料 (僅指P上的壓力) Seal Material (Pressure on P Only) P: 聚氨酯橡膠 Polyurethane