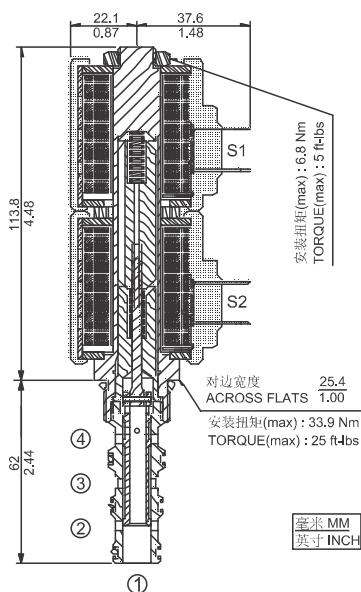




SV10-47D 三位四通換向閥，浮動中位

SV10-47D 三位四通換向閥，浮動中位 3-position, 4-way, Spool, "Motor Spool"



描述 DESCRIPTION

電磁驅動、三位四通、直動閥芯式、馬達閥芯、液壓螺紋插裝閥。
A solenoid-operated, 3-position, 4-way, direct-acting, spool-type, motor spool, screw-in hydraulic cartridge valve.

工作原理 OPERATION

斷電時，SV10-47D 阻止油液流向③，而允許油液從②流向①，或從④流向①。
綫圈1通電時，允許油液從③流向④，以及從②流向①。綫圈2通電時，油液可以從③流向②，以及從④流向①。

在由於油缸面積比而造成工作油口流量不平衡的油路中，較大流量的回油應導入油口②。

雖然可以對油口①完全加壓，但其不作為閥的進油口。
When de-energized, the SV10-47D blocks flow to ③, while allowing flow from ② to ①, and from ④ to ①. When coil #1 is energized, flow is allowed from ③ to ④, and from ② to ①. When coil #2 is energized, flow is allowed from ③ to ②, and from ④ to ①.

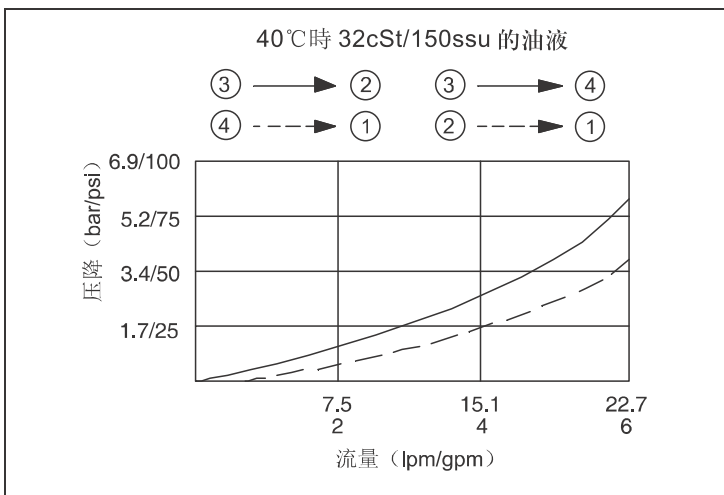
In circuits where work port flows are unequal due to cylinder ratios, the higher return flow should be directed to port ②.

While ① may be fully pressurized, it is not intended to be used as the inlet.

特性 SPECIFICATIONS

符號 SYMBOL	
工作壓力 PRESSURE	240 bar 3500 psi
流量 FLOW	23 L/min 6 gpm
內漏 LEAKAGE	≤ 164 ml/min at 207 bar (3000 psi)
密封材料/溫度範圍 SEAL MATERIAL/ TEMPERATURE	丁腈橡膠 -30°C ~ +100°C BUNA-N -20°F ~ +210°F 氟橡膠 -20°C ~ +150°C VITON -4°F ~ +330°F
綫圈額定負載 COIL DUTY RATING	可在85%至115%的額定電壓範圍內連續工作 CONTINUOUS FROM 85% TO 115% OF NOMINAL VOLTAGE
過濾 FILTRATION	≤ 25 MICRONS
介質 FLUID	礦物油或具有潤滑作用的合成油 MINERAL OIL OR SYNTHETIC FLUID WITH LUBRICANT PROPERTIES
粘度 VISCOSITY	10.8~420 cSt 50~2000 ssu
閥孔 CAVITY	VC10-4

性能（只針對插件） TYPICAL PERFORMANCE (Cartridge only)



訂貨型號 HOW TO ORDER

SV10-47D	-	-	-	-	綫圈終端 Coil Termination
選項 Option					DG: DIN43650
無 None					DL: 導線 Leadwires
					DR: Deutsch DT04-2P
					AG: DIN43650
				綫圈電壓 Coil Voltage	AP: 1/2 英寸導線管 1/2 in. Conduit
				0: 無綫圈	
				12: DC 12V	
				24: DC 24V	
密封材料 Seal Material				115: AC 115V	
N: 丁腈橡膠 Buna-N				230: AC 230V	
V: 氟橡膠 Viton					

換向閥