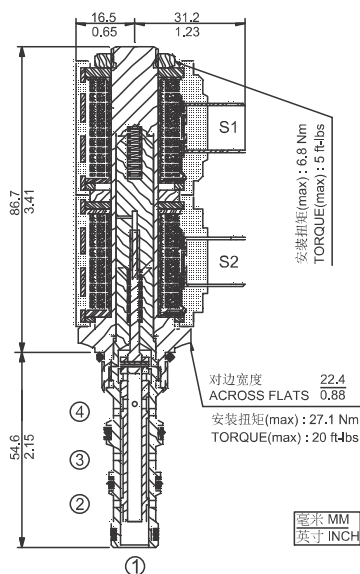




● SV08-47D 三位四通換向閥，浮動中位

SV08-47D 三位四通換向閥，浮動中位 3-position, 4-way, Spool, "Motor Spool"



描述 DESCRIPTION

電磁驅動、三位四通、直動閥芯式、馬達閥芯、液壓螺紋插裝閥。
A solenoid-operated, 3-position, 4-way, direct-acting, spool-type, motor spool, screw-in hydraulic cartridge valve.

工作原理 OPERATION

斷電時，SV08-47D 阻止油液流向③，而允許油液從②流向①，或從④流向①。線圈1通電時，允許油液從③流向④，以及從②流向①。線圈2通電時，油液可以從③流向②，以及從④流向①。

在由於油缸面積比而造成工作油口流量不均衡的油路中，較大流量的回油應導入油口②。

雖然可以對油口①完全加壓，但其不用作閥的進油口。

When de-energized, the SV08-47D blocks flow to ③, while allowing flow from ② to ①, and from ④ to ①. When coil #1 is energized, flow is allowed from ③ to ④, and from ② to ①. When coil #2 is energized, flow is allowed from ③ to ②, and from ④ to ①.

In circuits where work port flows are unequal due to cylinder ratios, the higher return flow should be directed to port ②.

While ① may be fully pressurized, it is not intended to be used as the inlet.

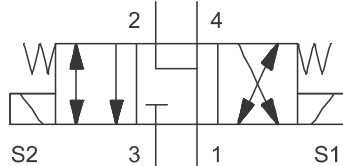
特性

SPECIFICATIONS

性能（只針對插件）

TYPICAL PERFORMANCE (Cartridge only)

符號
SYMBOL



工作壓力
PRESSURE

207 bar
3000 psi

流量
FLOW

11 L/min
3 gpm

內漏
LEAKAGE

≤ 164 ml/min
at 207 bar (3000 psi)

密封材料/溫度範圍
SEAL MATERIAL/
TEMPERATURE

丁腈橡膠 -30°C ~ +100°C
BUNA-N -20°F ~ +210°F
氟橡膠 -20°C ~ +150°C
VITON -4°F ~ +330°F

線圈額定負載
COIL DUTY
RATING

可在85%至115%的額定電壓範圍內連續工作
CONTINUOUS FROM 85% TO 115% OF NOMINAL VOLTAGE

過濾
FILTRATION

≤ 25 MICRONS

介質
FLUID

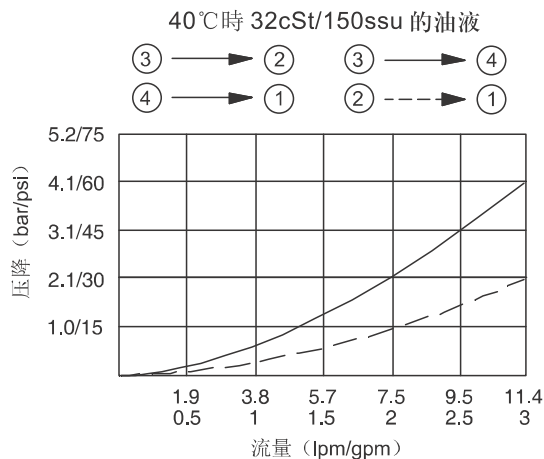
礦物油或具有潤滑作用的合成油
MINERAL OIL OR SYNTHETIC FLUID WITH LUBRICANT PROPERTIES

粘度
VISCOSITY

10.8~420 cSt
50~2000 ssu

閥孔
CAVITY

VC08-4



訂貨型號

HOW TO ORDER

SV08-47D

選項 Option
無 None

密封材料
Seal Material
N: 丁腈橡膠 Buna-N
V: 氟橡膠 Viton

線圈終端
Coil Termination
DG: DIN43650
DL: 導線 Leadwires
DR: Deutsch DT04-2P
AG: DIN43650
AP: 1/2 英寸導線管
1/2 in. Conduit

線圈電壓
Coil Voltage
0: 無線圈
12: DC 12V
24: DC 24V
115: AC 115V
230: AC 230V

A
B
C
D
E
F
G
H
I
J
K

換向閥