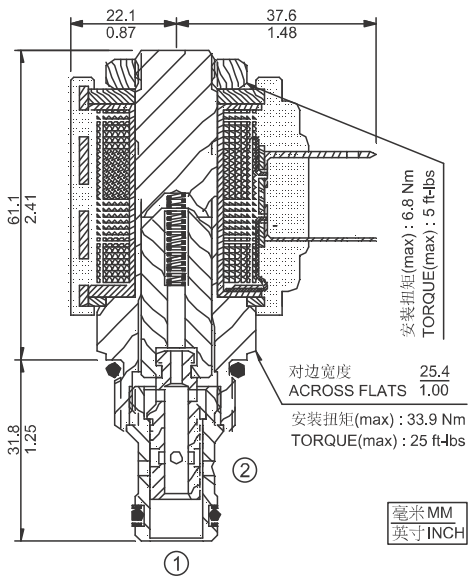




SV10-25 兩通常開式錐閥 2-Way, Normally Open



描述 DESCRIPTION

電磁驅動、2通常閉、直動滑閥式、液壓螺紋插裝閥，在低流量回路中用作雙向截止閥。

A solenoid-operated, 2-way, normally closed, direct-acting, spool-type, screw-in hydraulic cartridge valve, designed to operate as a bidirectional blocking valve in low flow circuits.

工作原理 OPERATION

斷電時，SV10-25 允許油液雙向流動。

通電后，插件的閥芯移動，從而雙向截止油液流動。

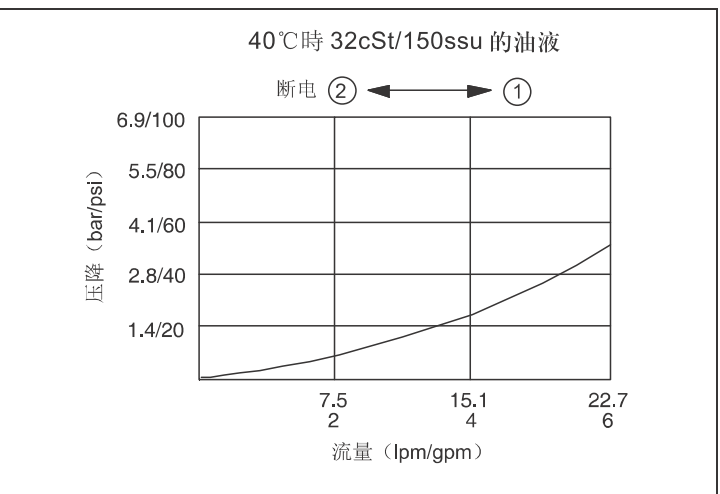
When de-energized, the SV10-25 allows flow in both directions.

When energized, the valve's spool shifts to close bidirectionally.

特性 SPECIFICATIONS

符號 SYMBOL	
工作壓力 PRESSURE	207 bar 3000 psi
流量 FLOW	22 L/min 6 gpm
內漏 LEAKAGE	≤ 82 ml/min at 207 bar (3000 psi)
密封材料/溫度範圍 SEAL MATERIAL/ TEMPERATURE	丁腈橡膠 -30°C ~ +100°C BUNA-N -20°F ~ +210°F 氟橡膠 -20°C ~ +150°C VITON -4°F ~ +330°F
線圈額定負載 COIL DUTY RATING	可在85%至115%的額定電壓範圍內連續工作 CONTINUOUS FROM 85% TO 115% OF NOMINAL VOLTAGE
過濾 FILTRATION	≤ 25 MICRONS
介質 FLUID	礦物油或具有潤滑作用的合成油 MINERAL OIL OR SYNTHETIC FLUID WITH LUBRICANT PROPERTIES
粘度 VISCOSITY	10.8~420 cSt 50~2000 ssu
閥孔 CAVITY	VC10-2

性能 (只針對插件) TYPICAL PERFORMANCE (Cartridge only)



訂貨型號 HOW TO ORDER

SV10 - 25

選項 Option	—	線圈終端 Coil Termination
無 None	—	<b>DG:</b> DIN43650
<b>S:</b> 150μ 過濾網 150μ Screen	—	<b>DL:</b> 導線 Leadwires
	—	<b>DR:</b> Deutsch DT04-2P
	—	<b>AG:</b> DIN43650
	—	<b>AP:</b> 1/2 英寸導線管 1/2 in. Conduit
	—	線圈電壓 Coil Voltage
	—	<b>0:</b> 無線圈
	—	<b>12:</b> DC 12V
	—	<b>24:</b> DC 24V
	—	<b>115:</b> AC 115V
	—	<b>230:</b> AC 230V
密封材料 Seal Material	—	
<b>N:</b> 丁腈橡膠 Buna-N	—	
<b>V:</b> 氟橡膠 Viton	—	

錐閥