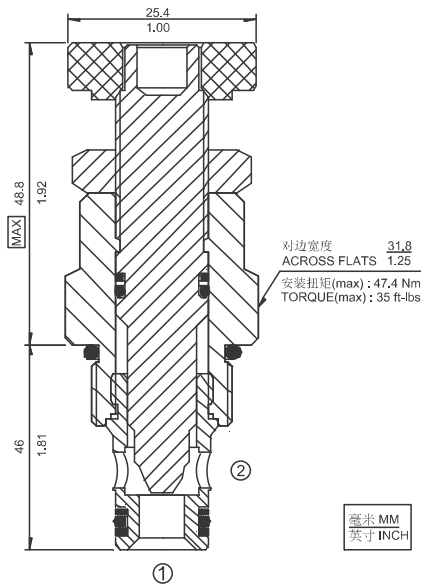




NV12-20 節流閥 Needle Valve



描述 DESCRIPTION

螺紋插裝式，可變節流孔，節流閥。

A screw-in, cartridge-style, variable orifice, hydraulic flow restrictor valve.

工作原理 OPERATION

NV12-20型，逆時針旋轉調節器時，可以使節流孔從完全鎖閉到完全打開。

The NV12-20 increases its orifice value from fully closed to fully open with counterclockwise adjustment rotation.

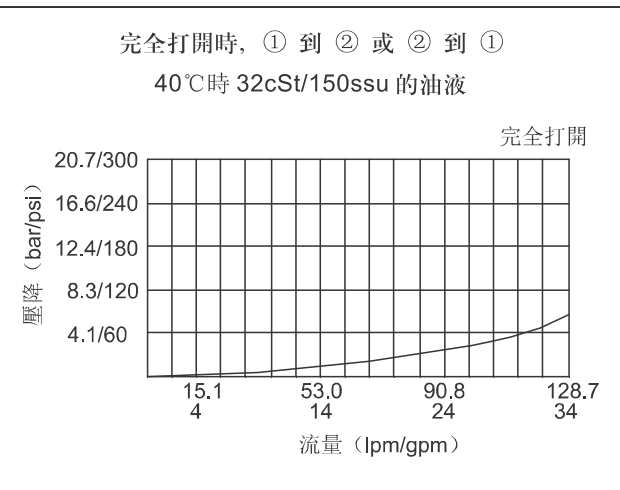
特性

SPECIFICATIONS

性能 (只針對插件)

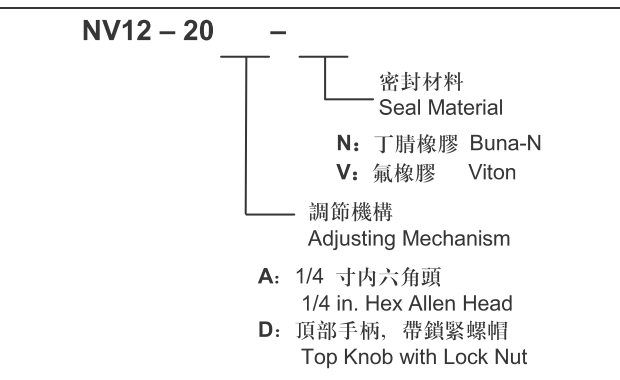
TYPICAL PERFORMANCE (Cartridge only)

符號 SYMBOL	
工作壓力 PRESSURE	240 bar 3500 psi
流量 FLOW	129 L/min 34 gpm
內漏 LEAKAGE	≤ 0.15 ml/min (3 drops/min) at shut-off (關閉時)
密封材料/溫度範圍 SEAL MATERIAL/ TEMPERATURE	丁腈橡膠 -30°C ~ +100°C BUNA-N -20°F ~ +210°F 氟橡膠 -20°C ~ +150°C VITON -4°F ~ +330°F
過濾 FILTRATION	≤ 25 MICRONS
介質 FLUID	礦物油或具有潤滑作用的合成油 MINERAL OIL OR SYNTHETIC FLUID WITH LUBRICANT PROPERTIES
粘度 VISCOSITY	10.8~420 cSt 50~2000 ssu
閥孔 CAVITY	VC12-2



訂貨型號

HOW TO ORDER



A
B
C
D
E
F
G
H
I
J
K

節流閥